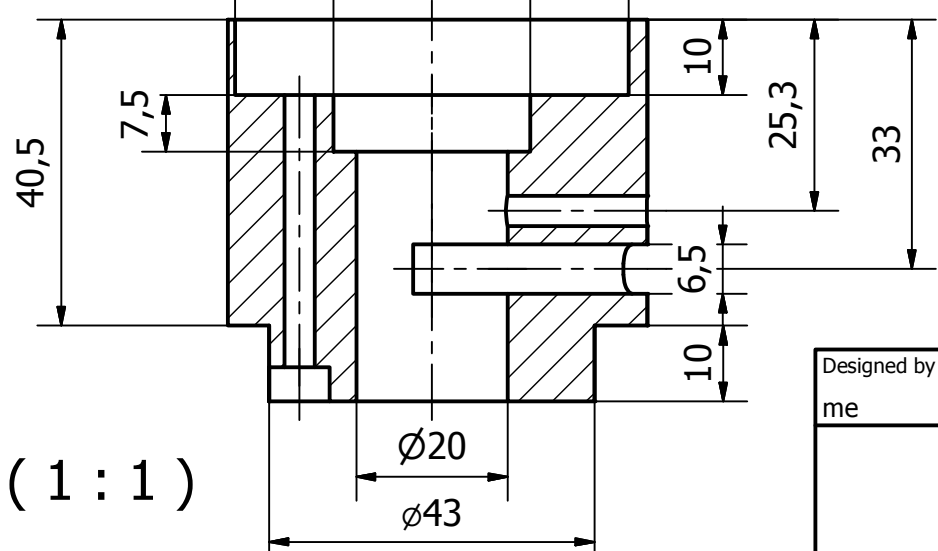
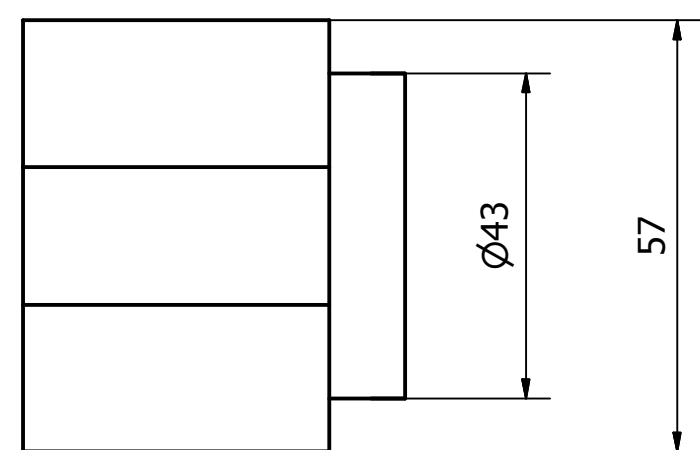
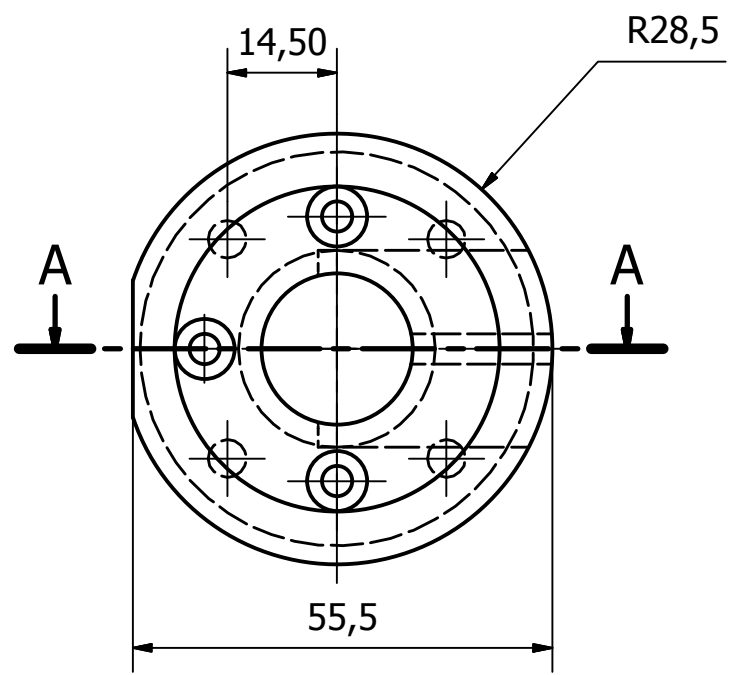
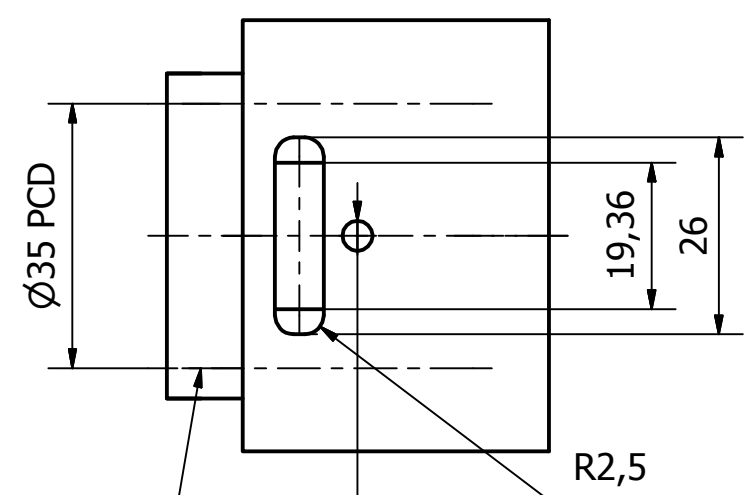


4 spots  $\varnothing 41$  PCD  
 $\varnothing 5 \times 1.5$  deep



A-A ( 1 : 1 )

Designed by me	Checked by	Approved by	Date	Date 22/05/2015
Aluminium			Edition	Sheet 1 / 1
adapter-1				